



WH100-45

Wall Mount

WH100-45 Mounting bracket was specially developed for LCD and PLASMA TV-s. Due to the Manufacturing process on CNC Machines and the use of solid anodized aluminum, we are able to offer you a quality product that combines state of the art and great appearance.

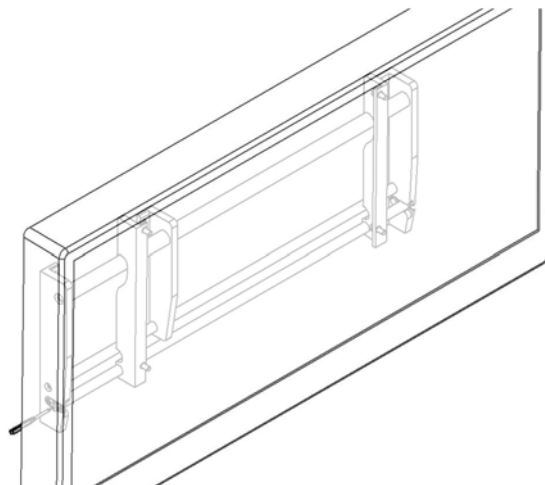
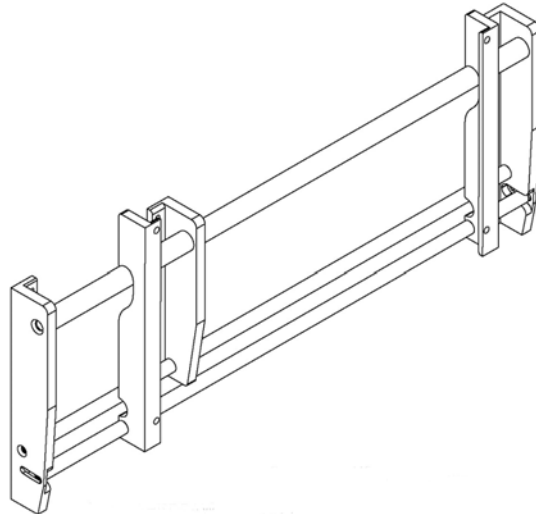
The WH100-45 can be used for all current LCD and PLASMA that are equipped with the VESA Standard.

With a depth of 2" and an incline of 5° , the WH100-45 is the flattest adjustable mounting bracket available on the market.

With this product you will be able to use advantage of a flat screen TV to the fullest.

FEATURES:

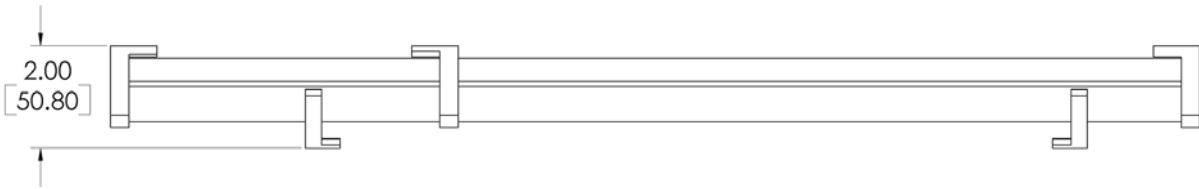
- Low profile tilt mount
- All aluminum construction
- Includes all mounting hardware
- Supports LCD TV 27" -45"
- Max load : 100 Lbs
- VESA : 200 x 100
- 200 x 200
- 300 x 200
- 400 x 200
- 2° up tilt max.
- 5° down tilt max.
- Low profile Design keeps screen 2" from the wall
- Available in Silver or Black color
- Anodized to prevent from scratch and corrosion
- Horizontal adjustment up to 6" depending on screen size
- 1 or 2 stud support on the wall



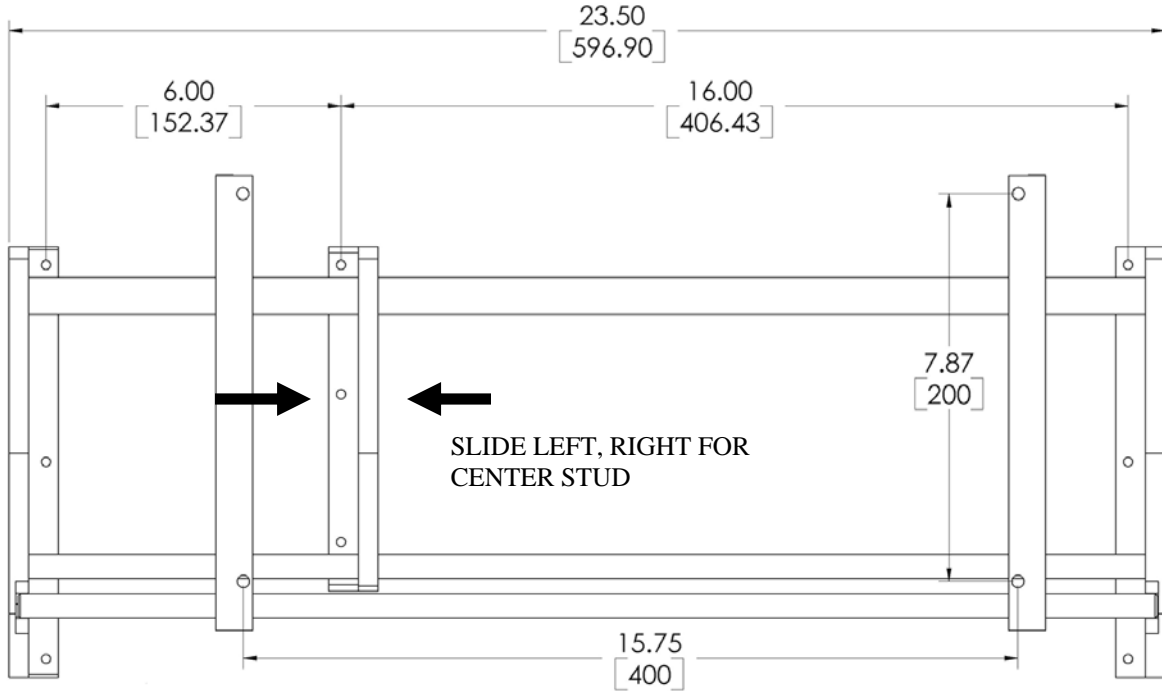
TECHNICAL DATA SHEET

MODEL : WH100-45

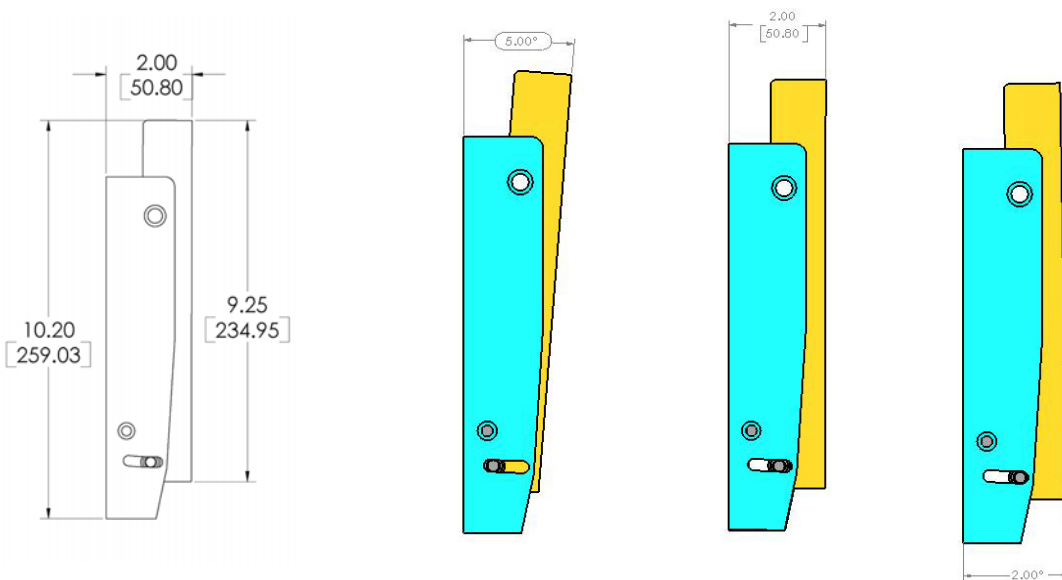
All dimensions = inch (mm)



Top View



Front View



Side View