

 **WARNING**

- Make sure that the supporting surface will support the total weight of the equipment and all hardware and components.
- Installation should be done by a someone of good mechanical aptitude, has experience with basic building construction.
- If mounting to wood wall studs, make sure that mounting screws are in the center of the studs anchored.
- Tighten screws firmly, but do not over tighten.
- Always use an assistant for lifting equipment.

Tools Needed for Assembly

- **Stud finder**
- **Phillips screwdriver**
- **Drill**
- **5/16 bit**
- **level**

Detail 1.

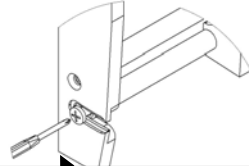


Figure: 1.1
Remove your wall bracket from the box and loosen the security screws on the side of the bracket as shown in detail 1.

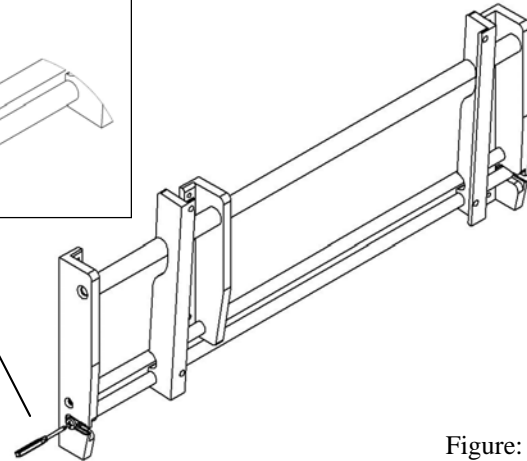


Figure: 1.1

Figure: 1.2
Separate the wall bracket and tilt bracket as shown in fig. 1.2

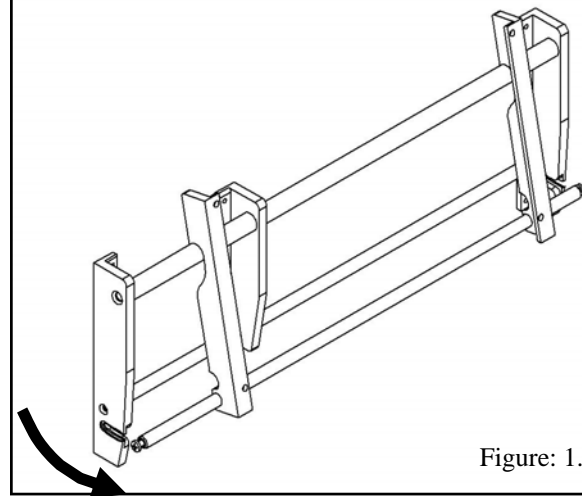


Figure: 1.2

Figure: 1.3

Wall bracket can be mounted to two studs that are 16" apart, or one stud using center bracket sliding to the center of wall bracket (left and right brackets also need to be anchored to the wall)
Use a stud finder to locate the edges of the studs.
Draw a vertical line down each stud's center.
Place wall bracket on wall, level bracket and mark the center of all six mounting holes.
Install anchors included in box as shown in figure 2.3

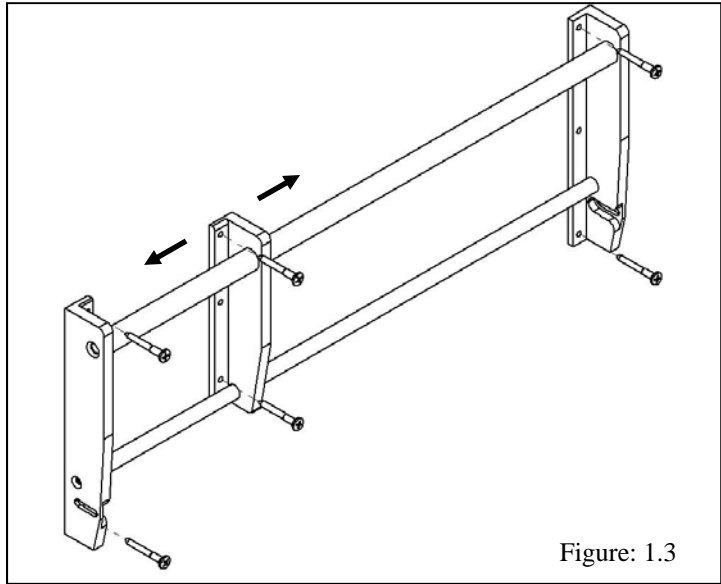


Figure: 1.3

Figure: 1.4

To prevent scratching the screen, set a cloth on a flat surface. Place screen face down.
Place tilt bracket on back of screen, attach the tilt bracket using the appropriate screws, washers, and spacer as shown in figure 3.

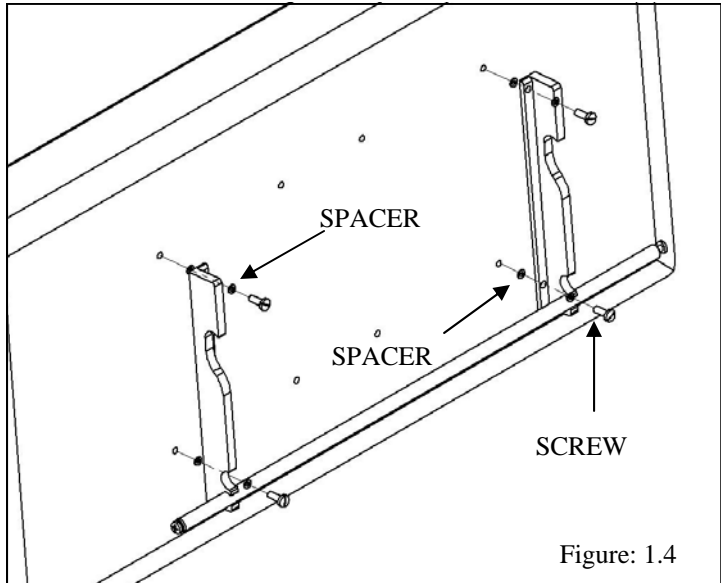


Figure: 1.4

Figure: 1.5

Hook tilt bracket onto wall bracket. Then slowly swing screen in as shown.

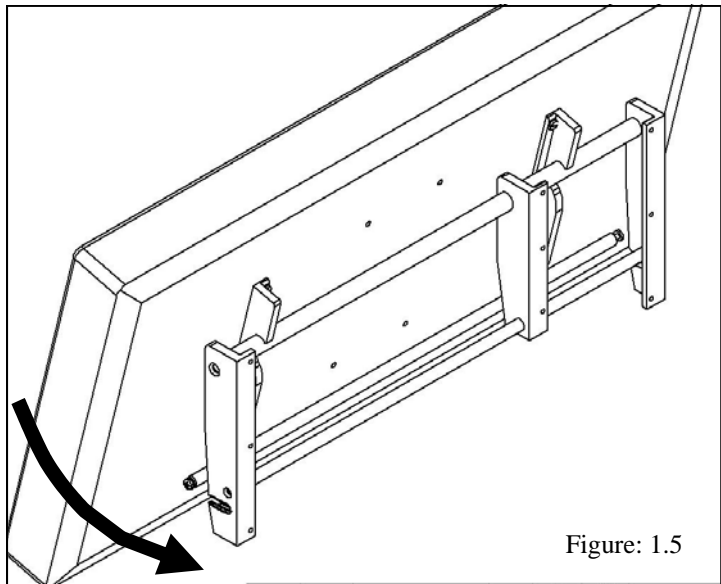


Figure: 1.5

Figure: 2.5

Slide the tilt bracket in slot as shown.

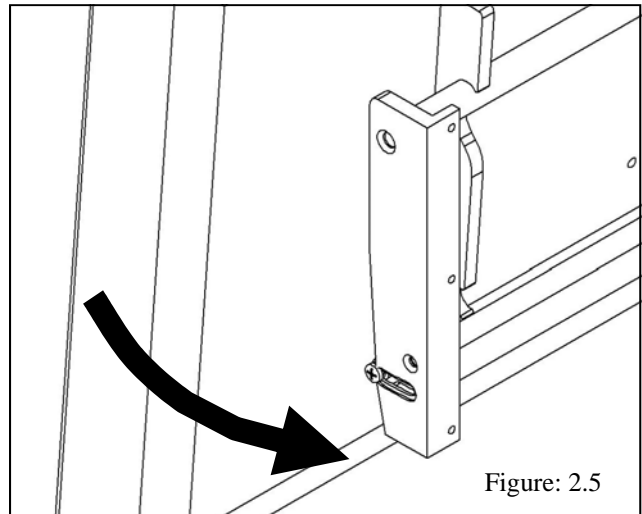
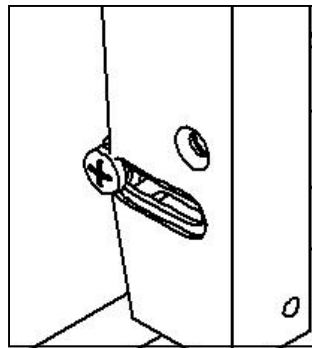
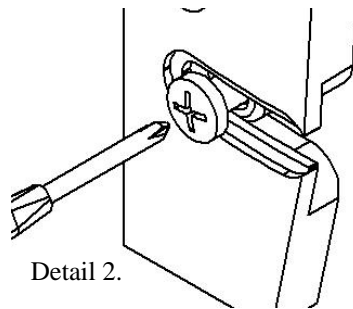


Figure: 2.5

Figure: 1.6

Turn safety screws, using Phillips screw driver clockwise that head of screws are at least 1mm in the security slot to prevent screen from being removed as shown in detail 2. Screen can be adjusted horizontally if desired as shown. To lock the screen down after setting desire angle, tighten screws detail 2.



Detail 2.

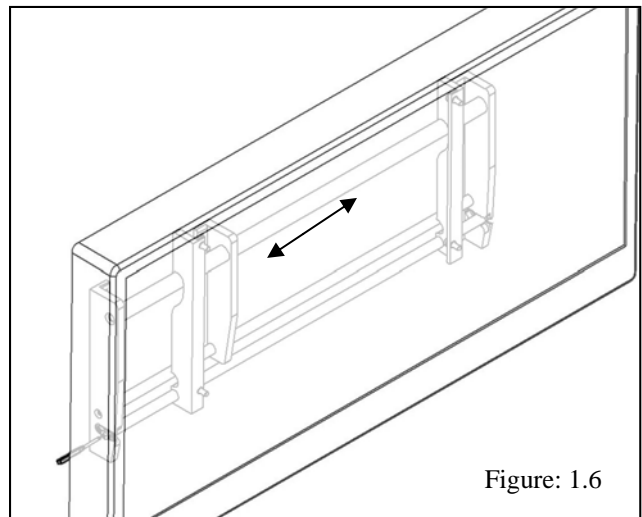
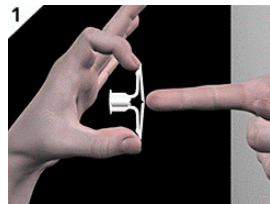


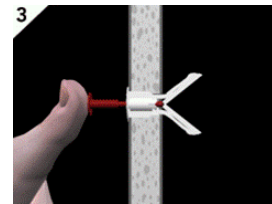
Figure: 1.6

Figure: 2.3

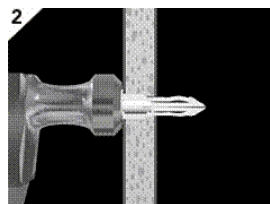
Drill 5/16" diameter (8mm) hole.
Fold anchor in middle.



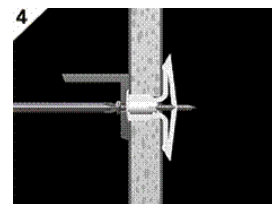
Insert key to pop anchor open & lock behind hollow wall (not necessary for thick or solid walls).
Do not force or hammer key.



Insert anchor in hole and tap flush with wall.



Place item over anchor.
Insert screw and tighten until screw is flush with fixture.



The anchor also wedge securely in thick or solid walls, or in wood studs behind drywall.