



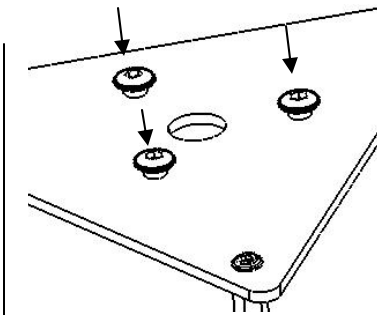
INSTALLATION GUIDE

The DH400 ceiling mount is for mounting inverted LCD/DLP projectors into a ceiling. DH400 Ceiling mount are constructed of high strength aluminum, anodized to prevent from scratching and are designed for quick and easy installation. The ball joint provides the greatest range of yaw, pitch & roll.

WARNING: Improper installation can result in serious injury! Make sure that the ceiling can support five times the total weight of the equipment. If you find the ceiling can not support this weight, reinforce the ceiling before installing the mount.

INSTALLATION SHOULD BE DONE BY A QUALIFIED TECHNICIAN.

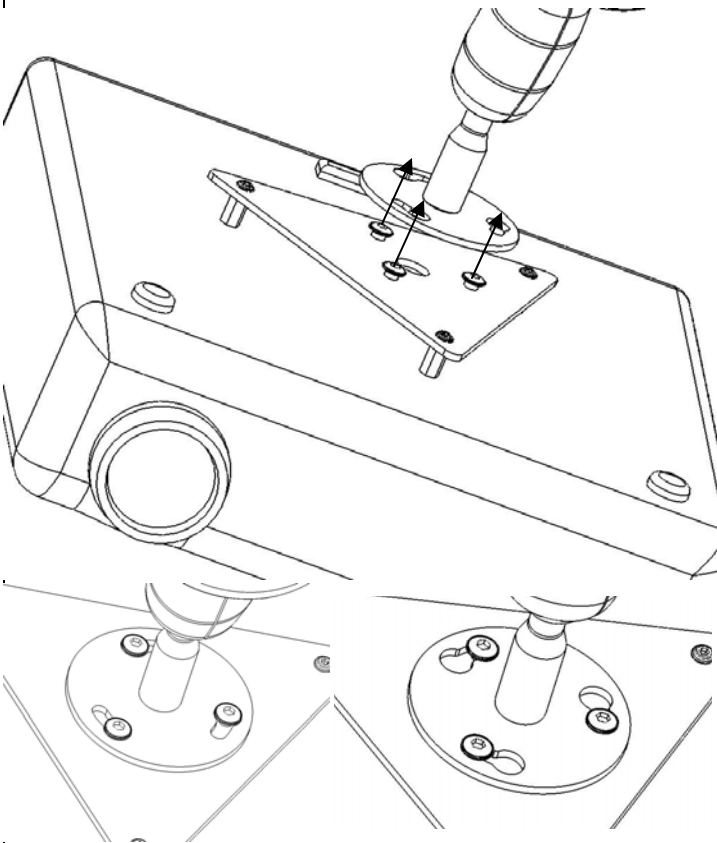
WE ARE NOT RESPONSIBLE FOR IMPROPER INSTALLATIONS.



Before mounting the projector to the ceiling, find the appropriate distance from the screen play to achieve the best picture.

Step 1 :

Place projector on the table or flat sturdy area. Flip projector over, locate the mounting holes and attach the spacer bolts provided. **DO NOT OVERTIGHTEN !**



Step 2 :

With the hex wrench provided attach the projector plate.

Step 3 :

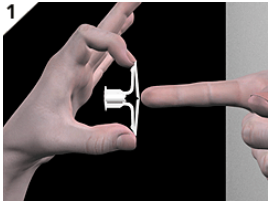
After finding the appropriate place on the ceiling, attach the Base to the ceiling using the anchors and bolts provided.

Step 4 :

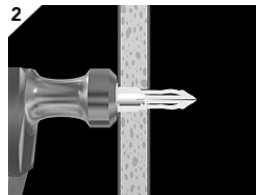
Carefully pick up the projector with the distance bolts attached (done in step 1) and using button flat head screws attach mounting plate to the distance bolts.

Step 5 :

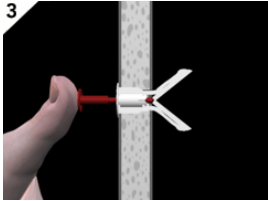
. Adjust your projector then tighten down and you are finished.



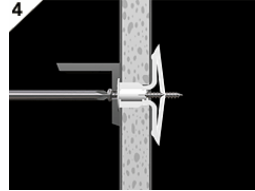
1 Drill 5/16 diameter (8mm) hole.
Fold anchor in middle.



2 Insert anchor in hole and tap flush with wall.



3 Insert key to pop anchor, open & lock behind hollow wall.
(Not necessary for thick or solid wall)
Do not force or hammer key.



4 Place item over anchor.
Insert screw and tighten until screw is flush with fixture.

